

Installation Instructions

In wall requirement: Plumber to supply and install 2 x 1/2" BSP male threads at 150mm centres.

1. Take stop taps from set as supplied, install pressed flanges and taps on to in-wall threads (use thread tape) with outlets of taps pointing upwards.
2. Fit nuts and olives on to breeching piece.
3. Tighten nuts down on to outlets of taps in above with a spanner.
4. Install pillar clip on wall at a suitable point vertically above centre thread on breeching piece connection, to hold shower riser tube (Half the length of the riser tube above breeching piece or higher).
5. Separately fit shower arm on the main riser and tighten with thread tape.
6. Fit shower riser (with nut and olive) to centre thread on breeching piece and tighten with a spanner. The shower riser tubing can be cut to the desired height.
7. Slide nut and olive onto main riser tube, tighten down with a spanner. Tighten pillar clip clamp screw with a flat-head screwdriver. TAKE CARE – as the riser tube can be easily scratched by pillar clip.
8. Attach rose with thread tape.

IMPORTANT: Maximum hot water temperature 65° C and 500 kPa Maximum operating pressure at any outlet within a building (Ref AS/NZS 3500)

WARRANTY: The Company accepts responsibility for any fault due to the Company's own workmanship or materials except for subjective variations or random unavoidable blemishes of a minor non-functional nature. This acceptance of responsibility is for 5 years from the date of installation, proof of which may be required.



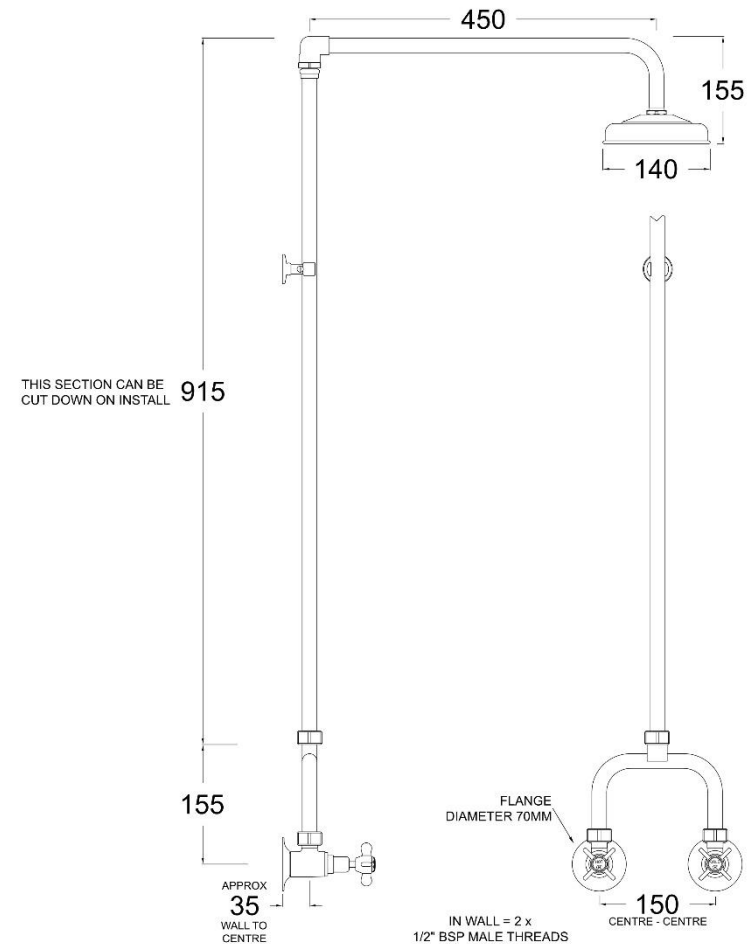
CB IDEAL TAPWARE PTY LTD

1A DELORAINE ROAD, EDWARDSTOWN S.A. 5039

PH: (08) 8276 6766 | sales@cbideal.com.au

ABN: 98 156 625035 | ACN: 156 625 035

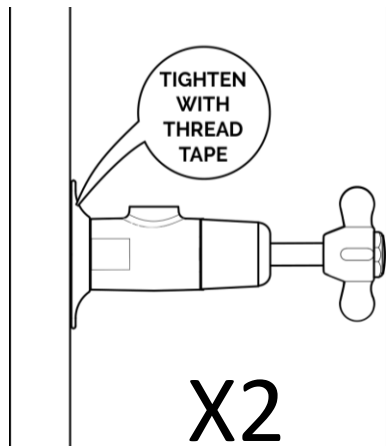
ALCOVE SHOWER SET



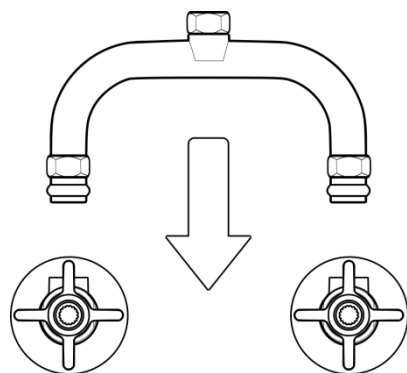
(Heritage version pictured)

Arch Shower Arm Option Note: If you selected the option for the Arch Shower Arm which has 475mm reach, you need to allow an additional 200mm of overall height to achieve the same under shower rose height as the standard overhead shower arm.

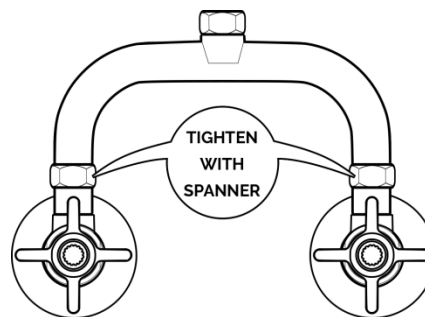
1



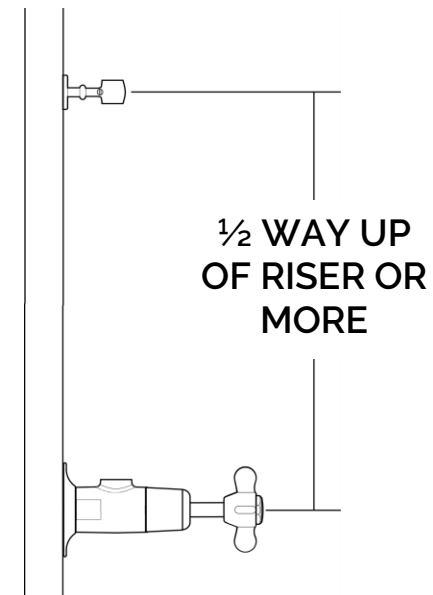
2



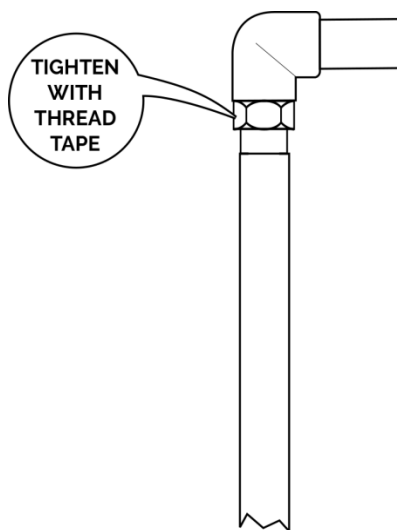
3



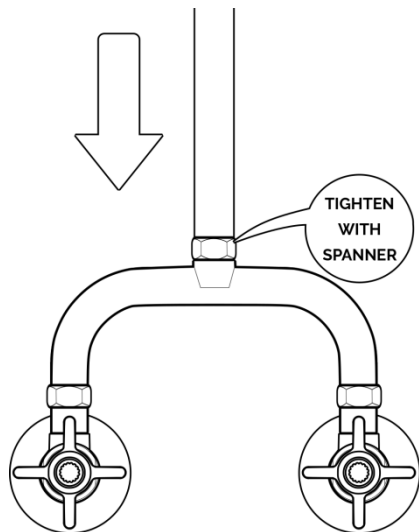
4



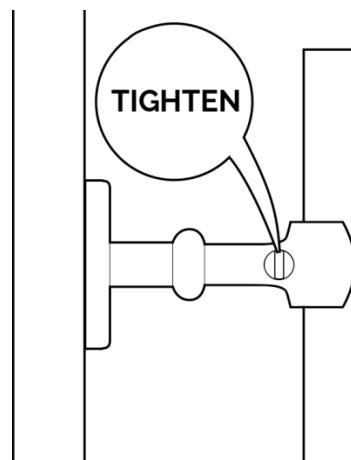
5



6



7



8

