

## Installation Instructions

In surface requirement: Minimum 22mm diameter hole for a 1/2" BSP male thread.

1. Assemble drinking water pillar tap set onto surface through hole; ensuring the O-ring stays in the groove on the bottom of the tap body.
2. Insert the fibre washer onto the underside of the bench thread, followed by the locking nut, ensuring washer is sandwiched between the nut and the surface underneath. You can set the orientation of the body prior to tightening the nut.
3. Tighten the locking nut with a spanner.
4. Screw in grub screw using the provided 2mm Allen Key. The nylon on the swivel has a gap. This gap must be aligned with the grub screw when outlet is inserted. Do up grub screw all the way until it stops, then relieve back slightly to allow spout to swivel. Still check this if spout is already installed to the tap body.
5. The standard tail is capable of accepting connection using a 1/2" BSP flexi-hose or 1/2" copper tube with nut & nylon olive.



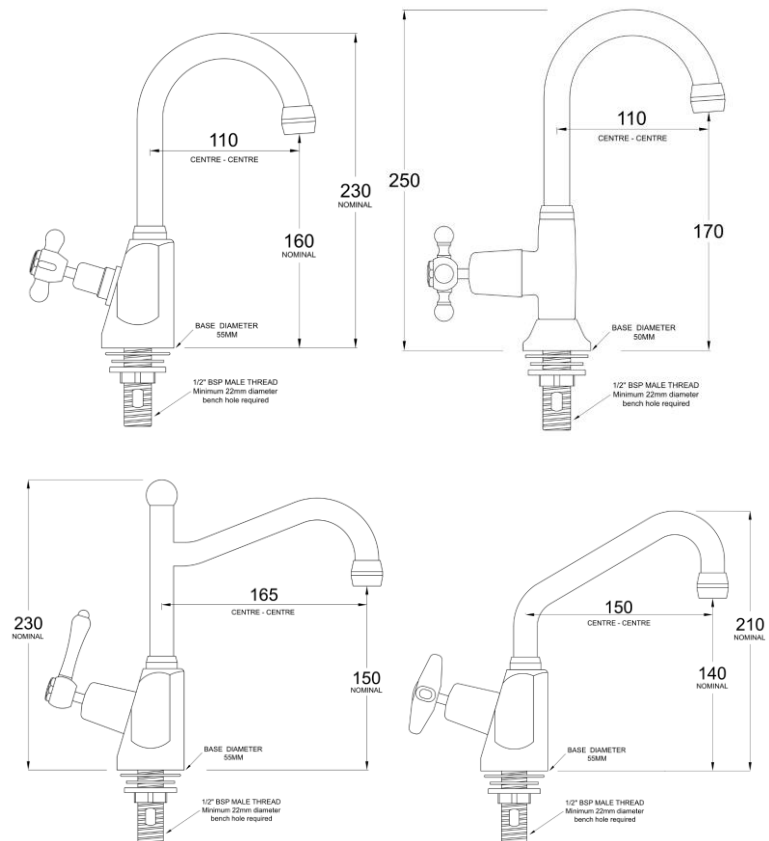
CB IDEAL TAPWARE PTY LTD

1A DELORAIN ROAD, EDWARDSTOWN S.A. 5039

PH: (08) 8276 6766 | sales@cbideal.com.au

ABN: 98 156 625035 | ACN: 156 625 035

# DRINKING WATER PILLAR TAP WITH SWIVEL OUTLET



**IMPORTANT:** Maximum hot water temperature 65°C and 500 kPa Maximum operating pressure at any outlet within a building (Ref AS/NZS 3500)

**WARRANTY:** The Company accepts responsibility for any fault due to the Company's own workmanship or materials except for subjective variations or random unavoidable blemishes of a minor non-functional nature. This acceptance of responsibility is for 5 years from the date of installation, proof of which may be required.